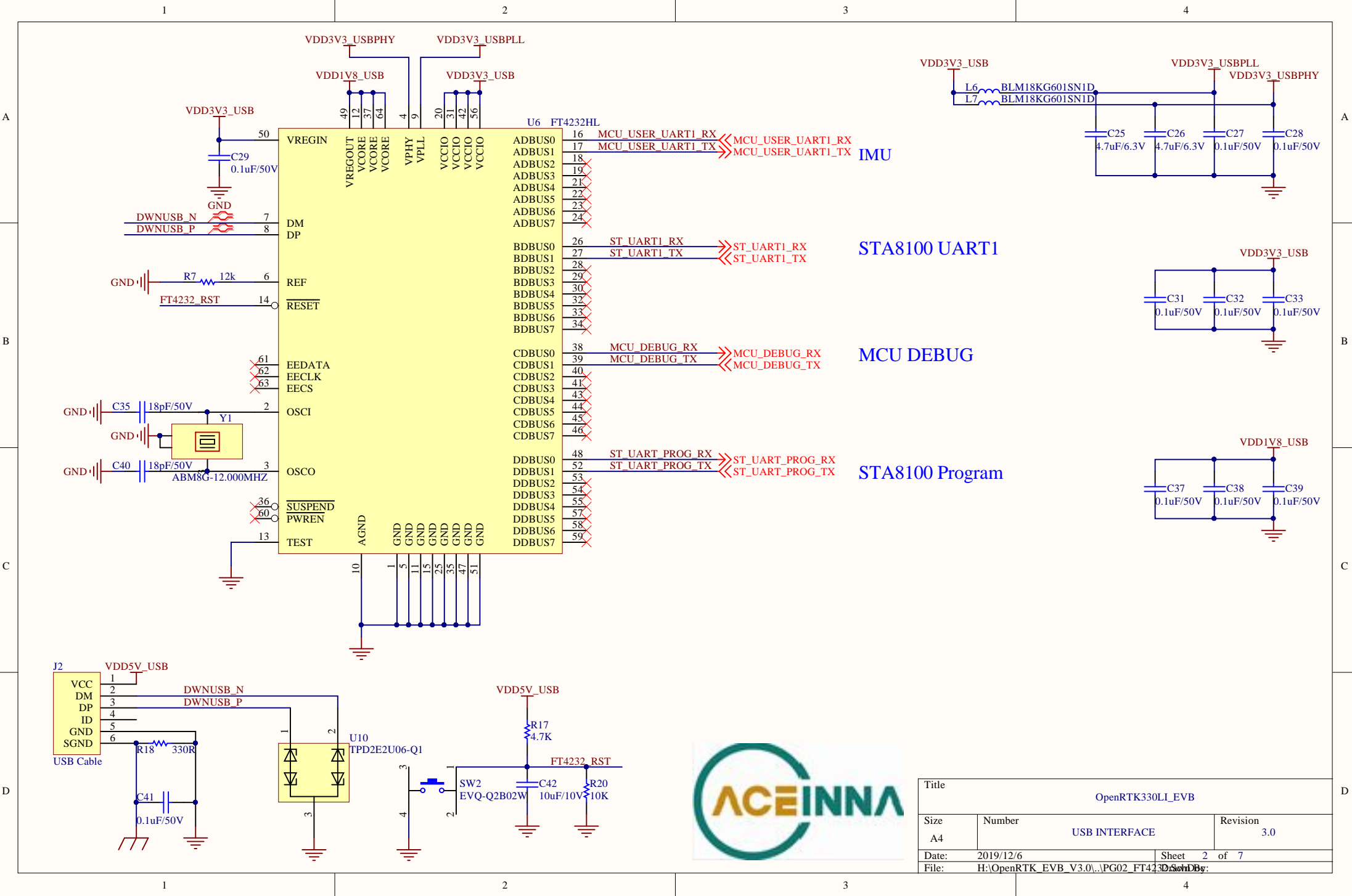
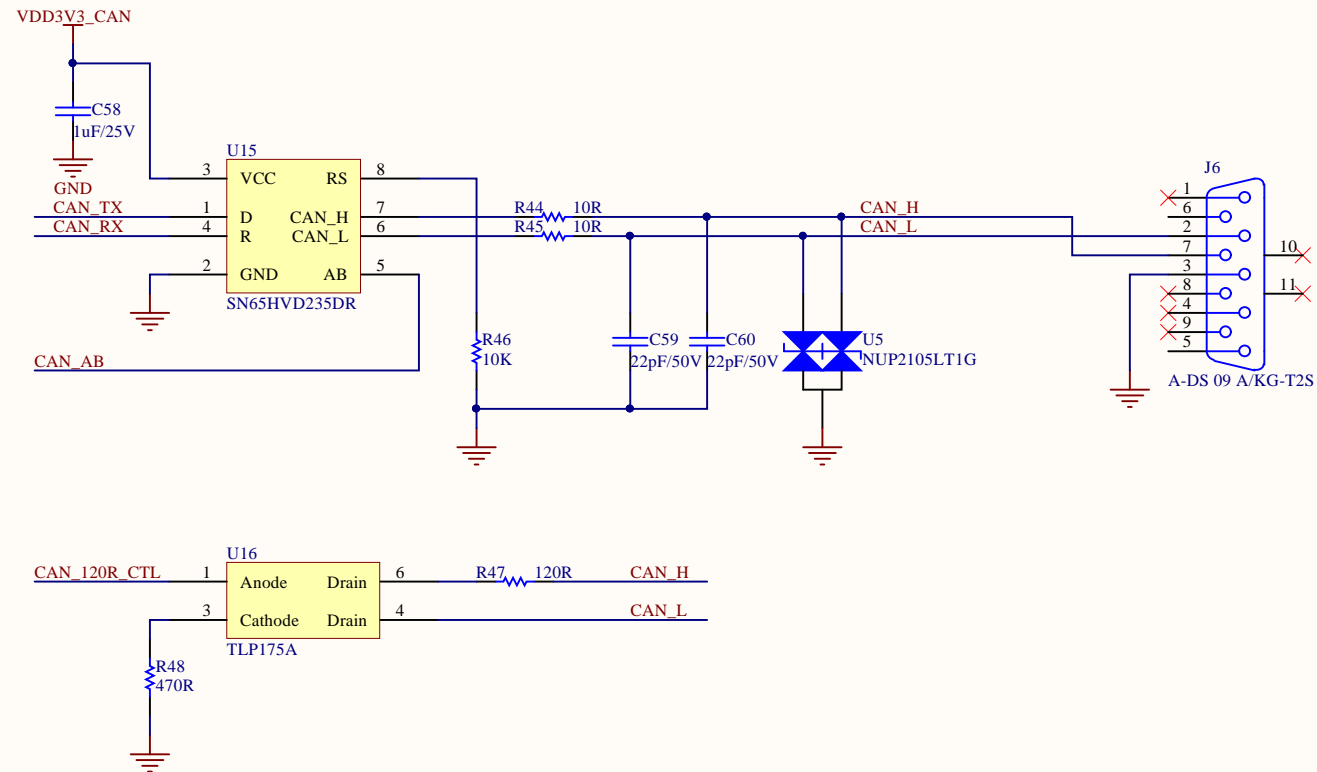


Title		OpenRTK330LI_EVB	
Size	Number	Revision	3.0
A4	POWER		
Date:	2019/12/6	Sheet	1 of 7
File:	H:\OpenRTK_EVB_V3.0\..PG01_POWER_SchDoc		

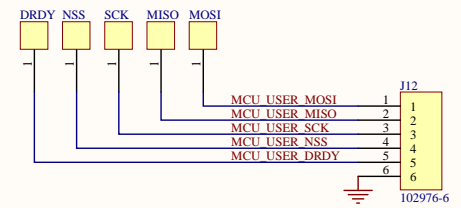
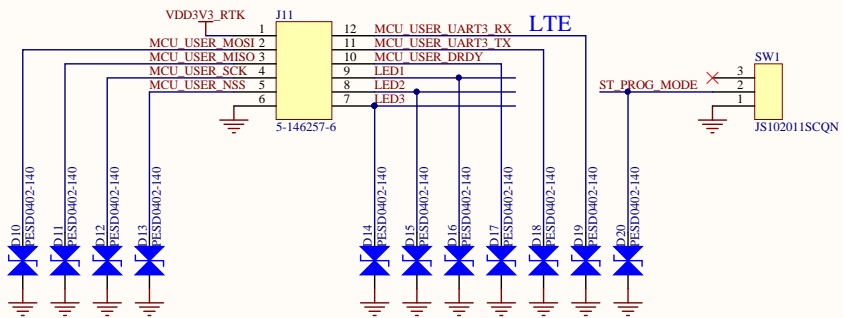
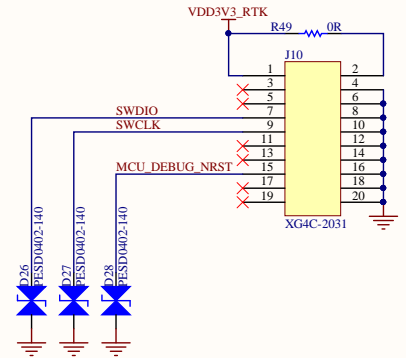
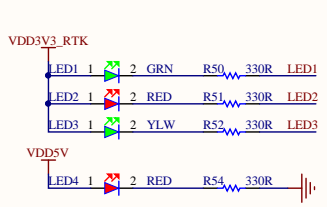
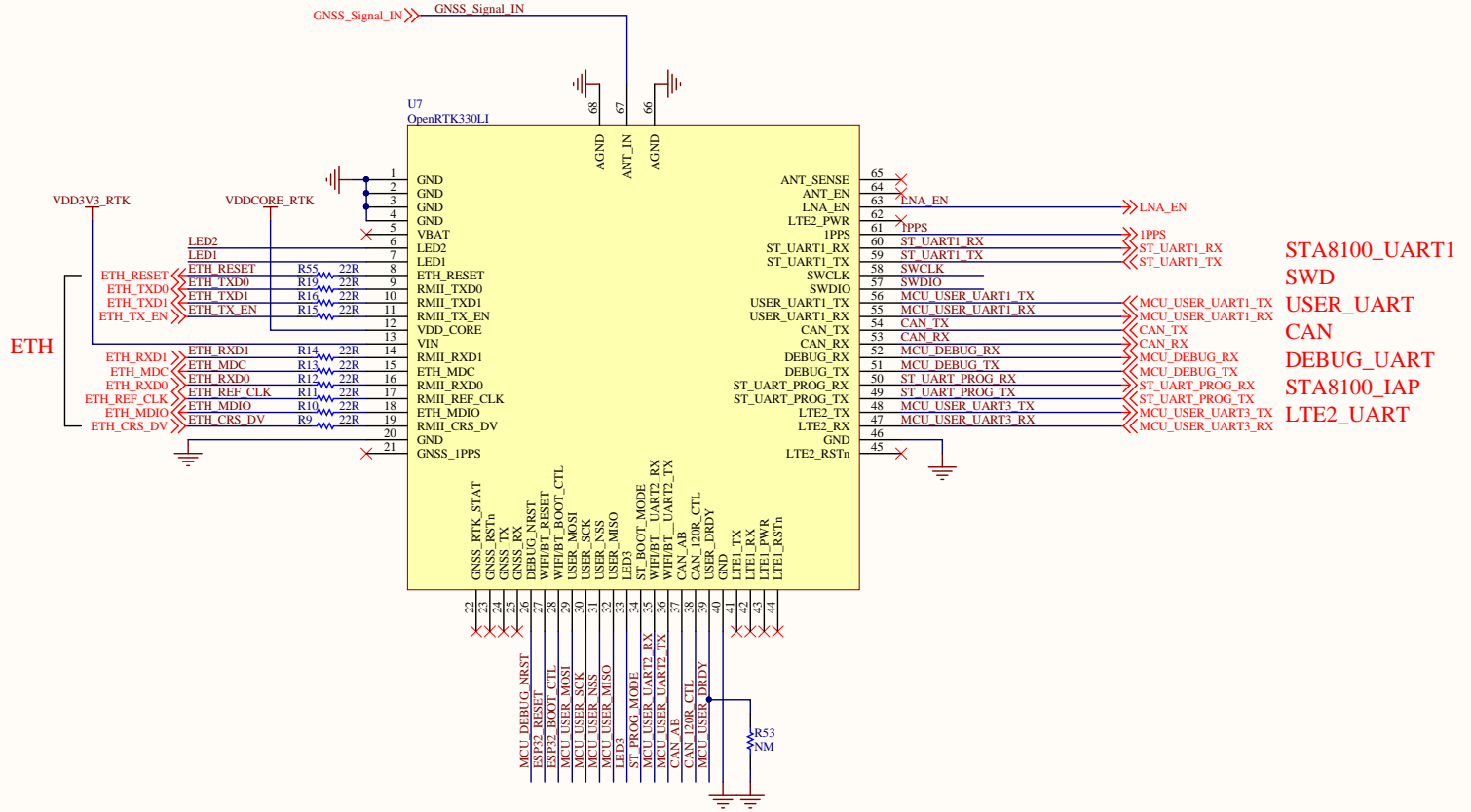
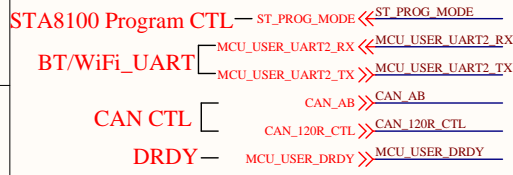
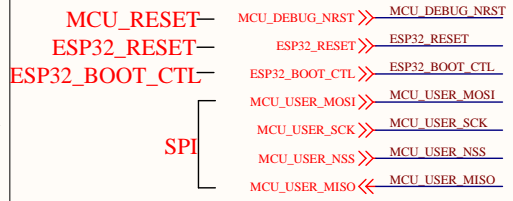


Title			
OpenRTK330LI_EVB			
Size	Number	Revision	
A4	USB INTERFACE	3.0	
Date:	2019/12/6	Sheet	2 of 7
File:	H:\OpenRTK_EVB_V3.0\..PG02_FT4232_SchDbg		

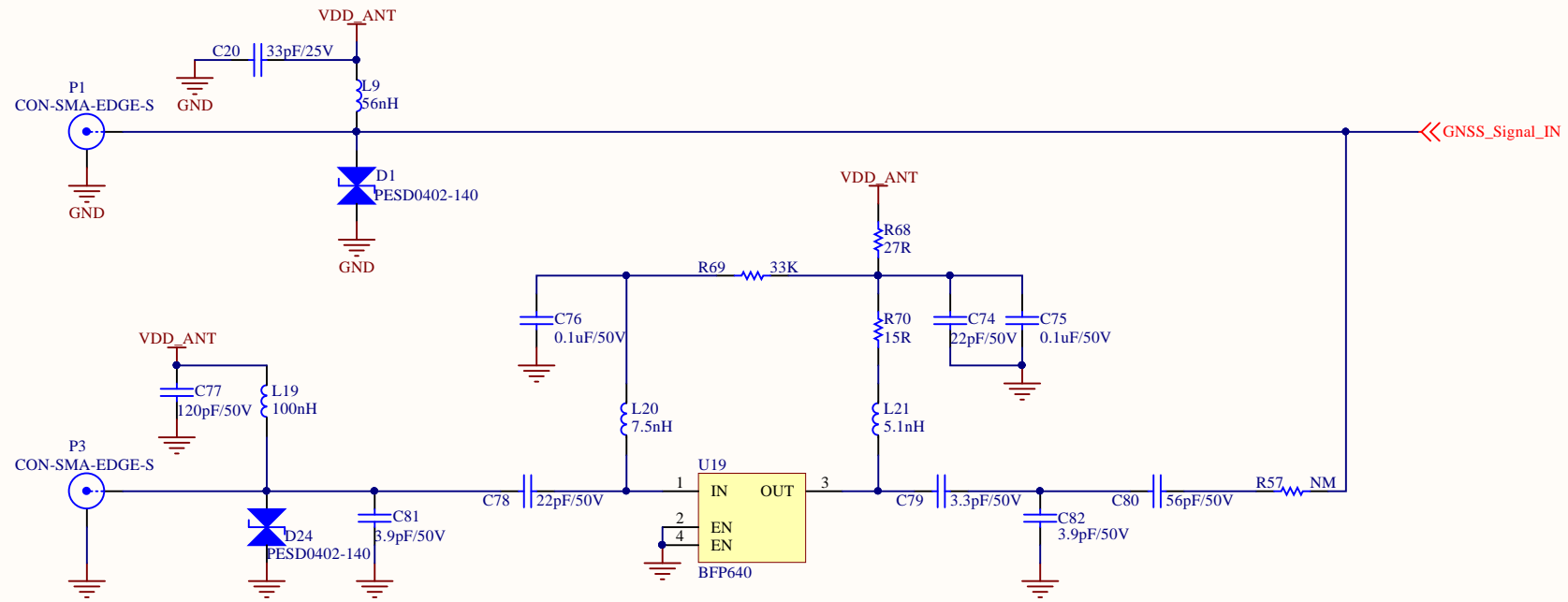
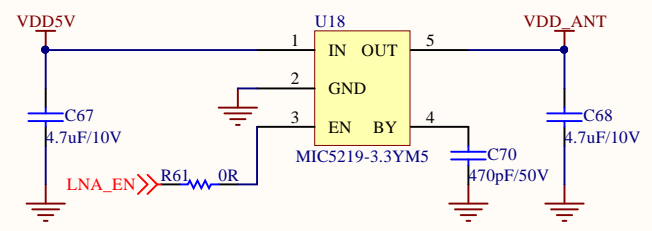
CAN_TX >> CAN_TX
 CAN_RX >> CAN_RX
 CAN_AB >> CAN_AB
 CAN_120R_CTL >> CAN_120R_CTL



Title			
OpenRTK330LI_EVB			
Size	Number	Revision	
A4	CAN	3.0	
Date:	2019/12/6	Sheet	5 of 7
File:	H:\OpenRTK_EVB_V3.0\Sch\PG05_CAN_Sch.Dby		



Title				OpenRTK330LI_EVB				
Size	Number	CONNECTOR		Revision		3.0		
A3								
Date:	2019/12/6	Sheet	6	of	7			
File:	H:\OpenRTK_EVB_V3.0\Sch\PG06_CONNECTOR.DOC						Drawn By:	



Title			
OpenRTK330L1_EVB			
Size	Number	Revision	
A4	LNA	3.0	
Date:	2019/12/6	Sheet	7 of 7
File:	H:\OpenRTK_EVB_V3.0\Sch\PG07_LNA_Sch.Dwg		